



CAN-Repeater

CRep Opto-.../DS24/RMD

CRep Opto-.../SS24/RMD

User Manual

EMS Sonnenhang 3
D-85304 Ilmmünster
Tel +49-8441/490260
THOMAS WÜNSCHE Fax +49-8441/81860

Documentation for CAN-Repeater CRep Opto-.../DS24/RMD
and CRep Opto-.../SS24/RMD.

Document version: V1.8

Documentation date: August 28th, 2018

No part of this document or the software described herein
may be reproduced in any form without prior written
agreement from EMS Dr. Thomas Wünsche.

For technical assistance please contact:

EMS Dr. Thomas Wünsche
Sonnenhang 3
D-85304 Ilmmünster

Tel. +49-8441- 490260

Fax +49-8441- 81860

Email: support@ems-wuensche.com

Our products are continuously improved. Due to this fact specifications
maybe changed at any time and without announcement.

FCC: This device complies with part 15 of the FCC
Rules. Operation is subject to the following
two conditions: (1) This device may not cause
harmful interference, and (2) this device must
accept any interference received, including
interference that may cause undesired
operation.

WARNING: CRep Opto hardware and software may not
be used in applications where damage to
life, health or private property may result
from failures in or caused by these compo-
nents.

Contents

1 Overview	1
1.1 Attributes	1
1.2 General Description	1
1.3 Ordering Information	2
2 Electrical Characteristics	3
2.1 Absolute Limiting Values	3
2.2 Nominal Values	3
3 Operating Instructions	4
3.1 Layout and Pin Assignment	4
3.2 Block Diagram CRep Opto DS .	6
3.3 Block Diagram CRep Opto SS .	7
4 Dimensions	9
5 Appendix A	10
5.1 Topology examples	10
6 Appendix B	11
6.1 Instruction for Disposal	11
6.2 FCC Statement	11 1

THIS PAGE INTENTIONALLY LEFT BLANK

1 Overview

1.1 Attributes

- Protocol transparent CAN repeater
- High throughput due to low latency
- ISO 11898 compatible bus interface with galvanic decoupling of CAN segments
- Connection complying to CiA DS102 standard
- Single or dual 12V-24V power supply
- Extended error suppression

1.2 General Description

The compact CAN repeater CRep Opto transmits and amplifies signals transparent to the CAN protocol. Each of the two galvanically separated CAN connections has the physical behaviour of a single bus node. CRep Opto permits a flexible design of the network topology. Star and tree structures can be implemented as well as long stub lines. By the possibility to use a network structure that fits the application best a reduction of installation costs can be achieved.

The maximum data rate in CAN networks, depending on signal propagation delays, can be increased, if CRep Opto is used to improve the network structure. An increase of the maximum node count in a CAN network can be reached by splitting the network into subnets that are connected by CRep Opto. Each subnet can apply the maximum number of CAN nodes permitted by the drivers output current. Where CAN signals have to be transmitted

over long distances, CRep Opto can be used for signal conditioning. Galvanic decoupling of the bus segments allows to connect subnets with differing ground potential by CRep Opto. The integrated shut down capability in case of errors reduces the impact on intact bus segments by defective segments for the most commonly occurring errors.

CRep Opto can be obtained in two different versions: CRep Opto DS24 has to be supplied from both network sides, CRep Opto SS24 is only supplied on CAN1.

1.3 Ordering Information

12-02-10x-20	CRep I-.../DS24/RMD CAN repeater for rail mount application, galvanic separation, double sided supply
12-02-20x-20	CRep I-.../SS24/RMD CAN repeater for rail mount application, galvanic separation, single sided supply
12-02-11x-20	CRep I-.../DS24/RMD-ETR CAN repeater for rail mount application, galvanic separation, double sided supply, extended temperature range
12-02-21x-20	CRep I-.../SS24/RMD-ETR CAN repeater for rail mount application, galvanic separation, single sided supply, extended temperature range

(... inhibit time)

2 Electrical Characteristics

2.1 Absolute Limiting Values

Any (also temporary) stress in excess of the limiting values may cause permanent damage on CRep Opto and connected devices.

Parameter	Min	Max	Unit
Storage temperature	-20	+80	°C
Operating temperature ¹	0	+60	°C
Power supply voltage	-100	+35	V
Voltage on signal lines	-30	+30	V

¹ Version ETR -20°C - +70°C

2.2 Nominal Values

All values, unless otherwise specified, refer to a supply voltage of 2.4V and an environmental temperature of 20°C.

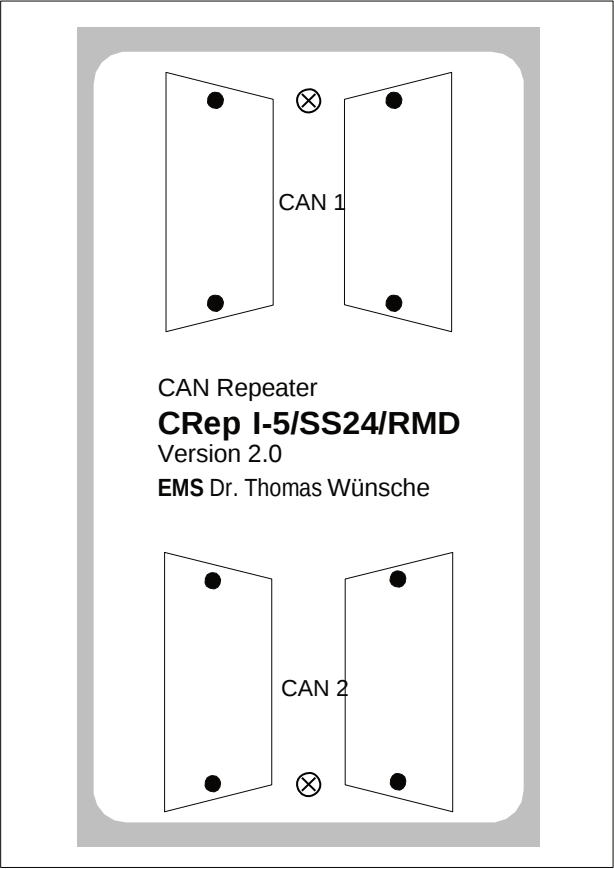
Parameter	Min	Typ	Max	Unit
Current consumption ¹ (no load)	–	30	–	mA
Current consumption ¹ (250kBit/s, 100% load)	–	40	–	mA
Power supply voltage	10	24	30	V
Propagation delay	–	125	200	ns

¹ with 24V supply voltage

3 Operating Instructions

3.1 Layout and Pin Assignment

CRep Opto devices include 2 CAN segments fed to a male and a female plug of type D-Sub 9. The plugs carry the CAN signals and the supply voltage.

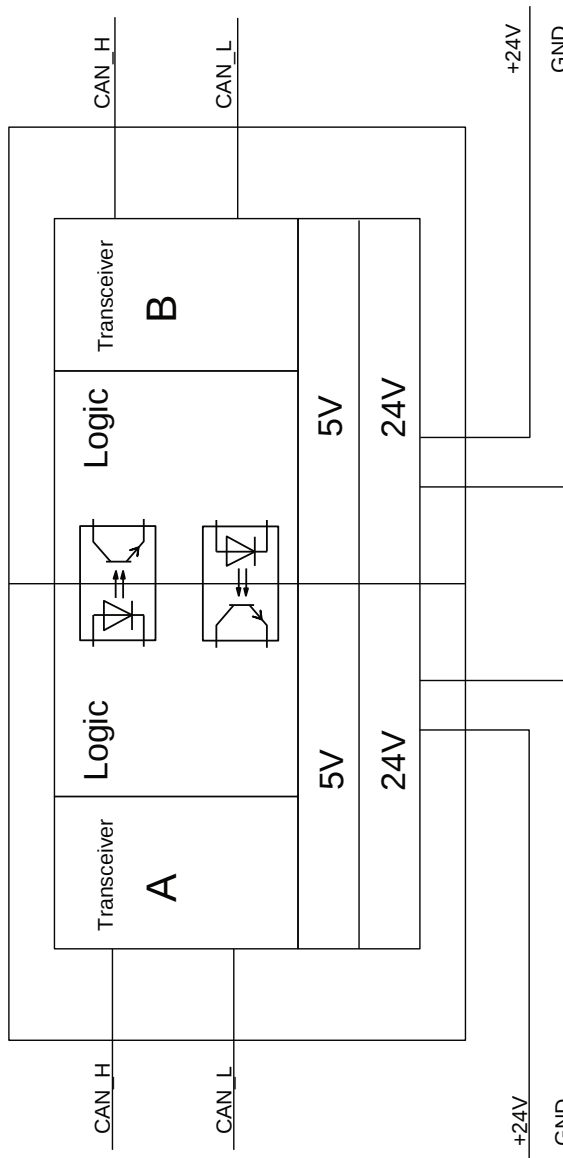


The following table shows the pin assignment of the D-Sub 9 plugs (male and female plug are connected internally):

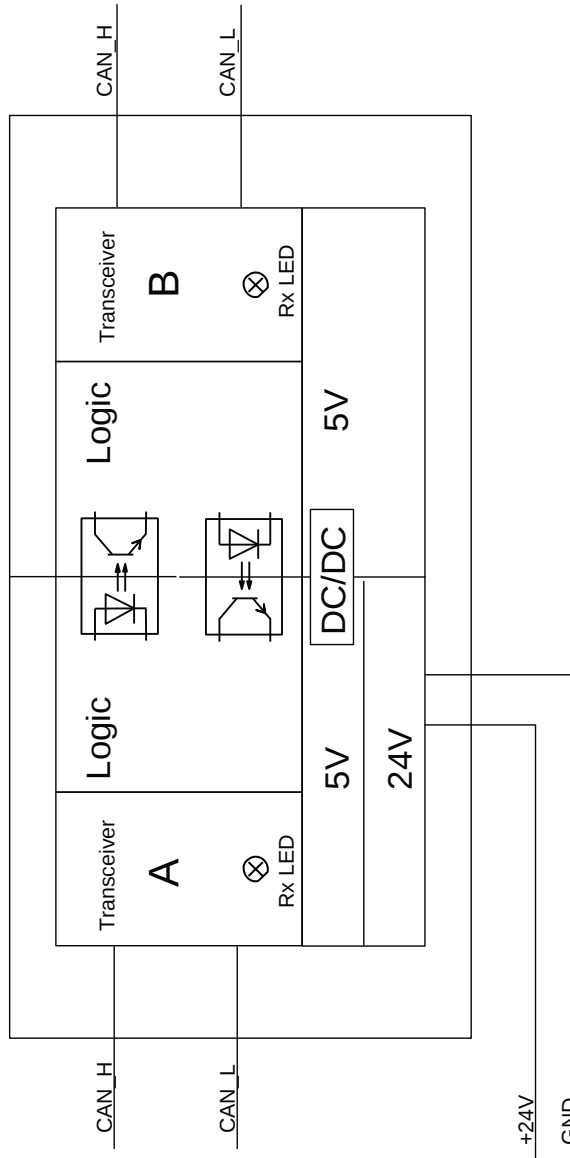
Pin	Name	Function
2	CAN_L	CAN_Low bus line
3	GND	Ground
7	CAN_H	CAN_High bus line
9	V+CAN	Power supply 24V

Please notice that CRep Opto SS can only be supplied over CAN1.

3.2 Block Diagram CRep Opto DS

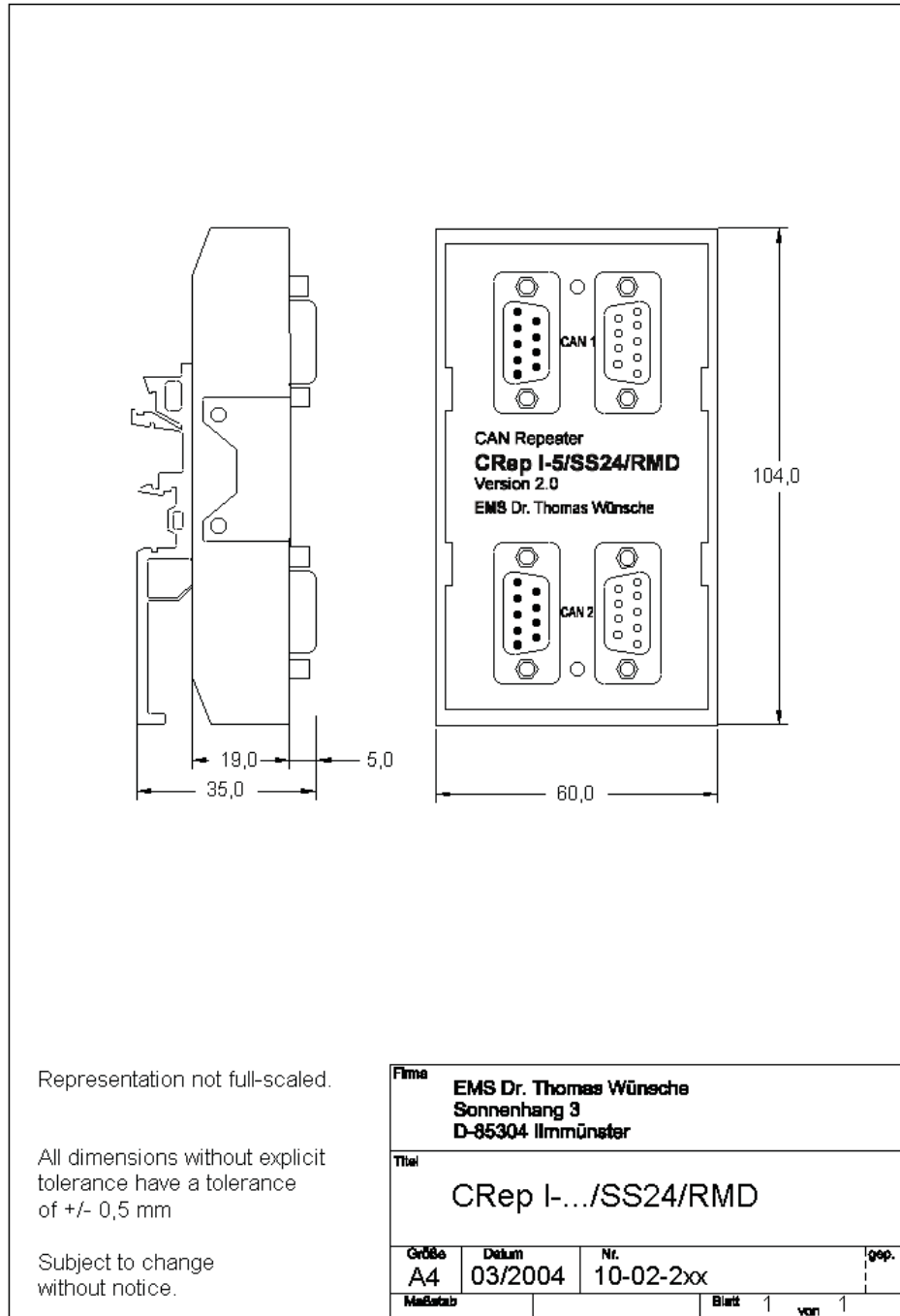


3.3 Block Diagram CRep Opto SS



4 Dimensions

All values in [mm].



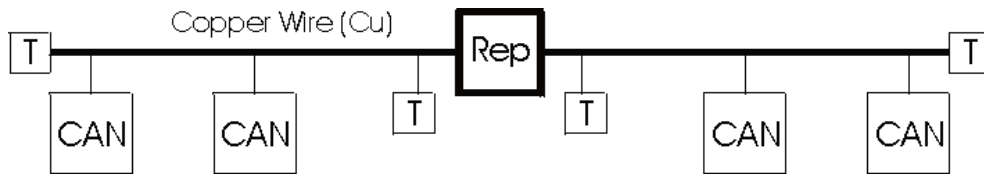
5 Appendix A: Topology examples

CAN busses should always be terminated on both ends, typically using a 120Ohm termination resistor between CAN-High and CAN-Low signal lines.

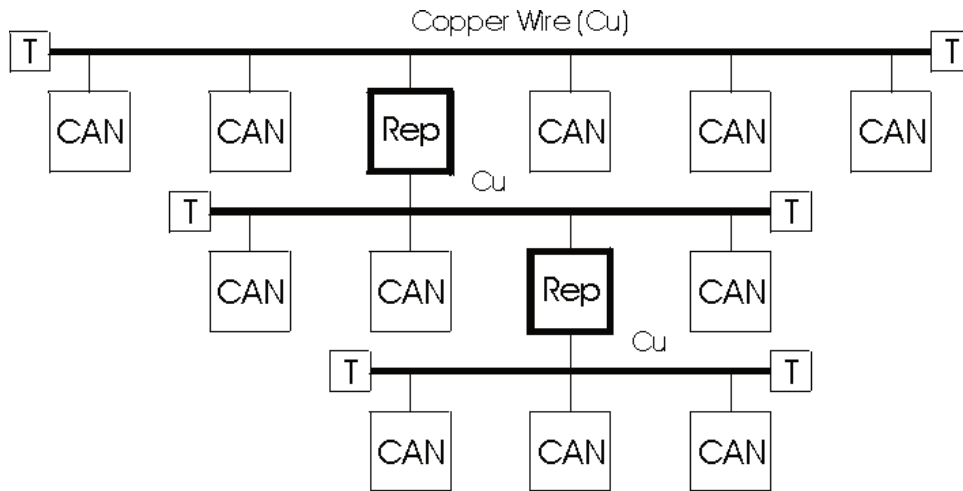
Legend



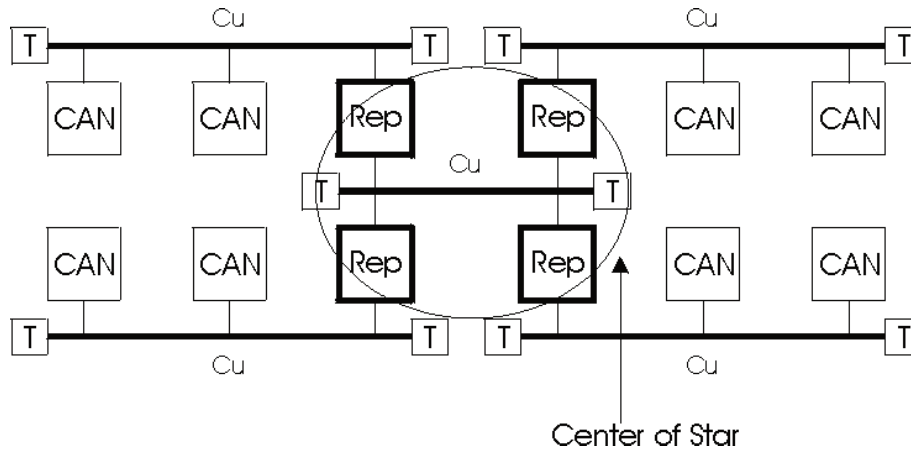
Line topology with repeaters



Tree topology with repeaters



Star topology with repeaters



6 Appendix B

6.1 Instruction for Disposal

Electronic Equipment Act (WEEE)

EMS is selling its products exclusively to commercial customers. This is the reason why all devices are designed for commercial use and have to be disposed appropriately. In accordance to § 10 para. 2 clause 3 Electronic Equipment Act (WEEE) the disposal of EMS products is regulated the following way.

The equipment must not be disposed at the public collection points. In accordance with the applicable law the disposal has to be done by the customer for own account. The same applies to products, which have been sold to third parties, if those parties do not take care of a disposal in accordance to the applicable law. As an alternative the products can be returned to EMS free of charge.

6.2 FCC Statement

NOTE: This equipment has been tested and found to comply with the limits for a Class A digital device, pursuant to Part 15 of the FCC Rules. These limits are designed to provide reasonable protection against harmful interference when the equipment is operated in a commercial environment. This equipment generates, uses, and can radiate radio frequency energy and, if not installed and used in accordance with the instruction manual, may cause harmful interference to radio communications. Operation of this equipment in a residential area is likely to cause harmful interference in which case the user will be required to correct the interference at his own expense.

